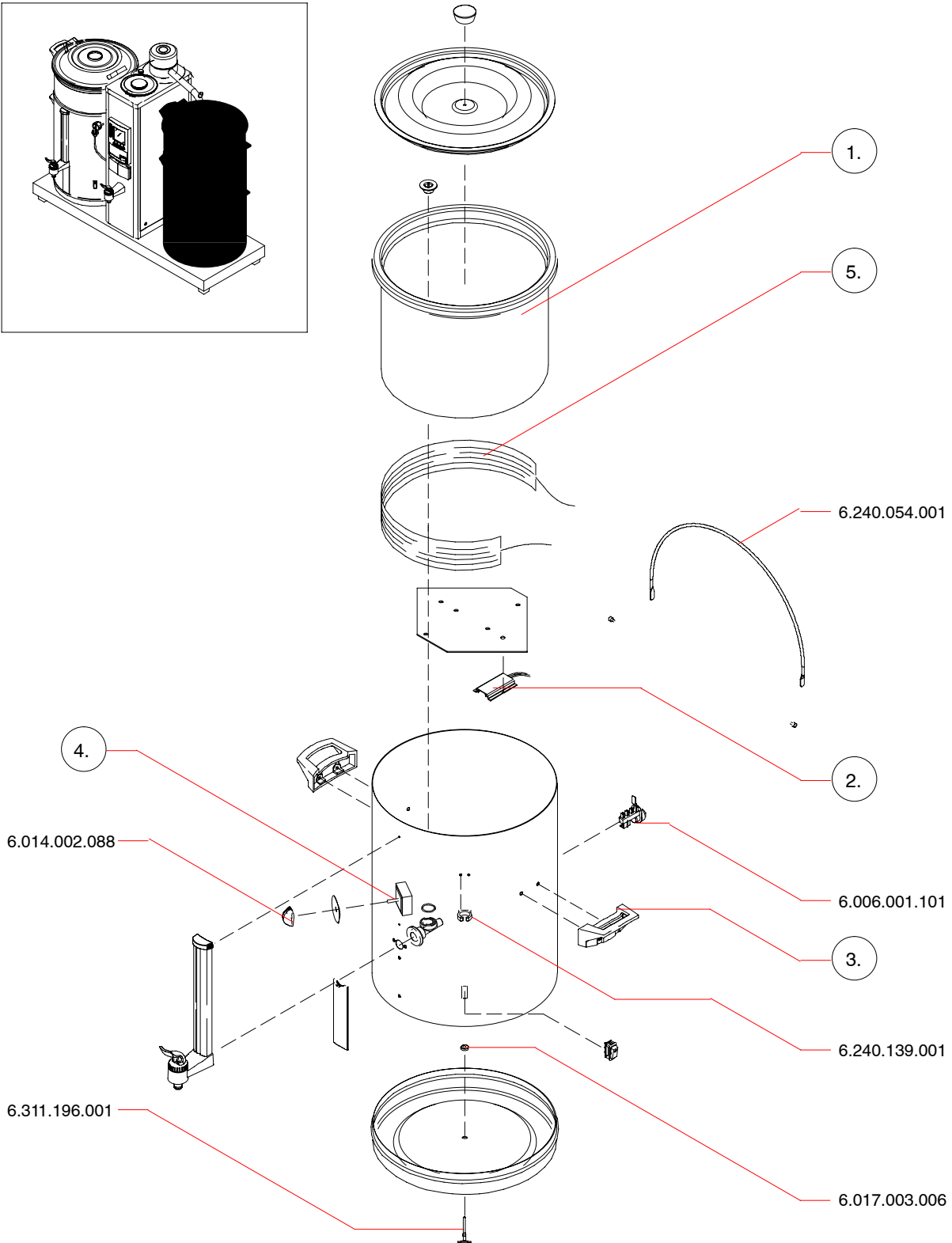
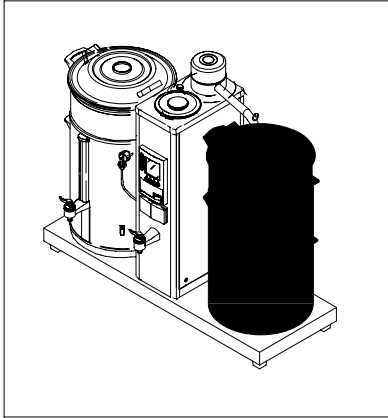


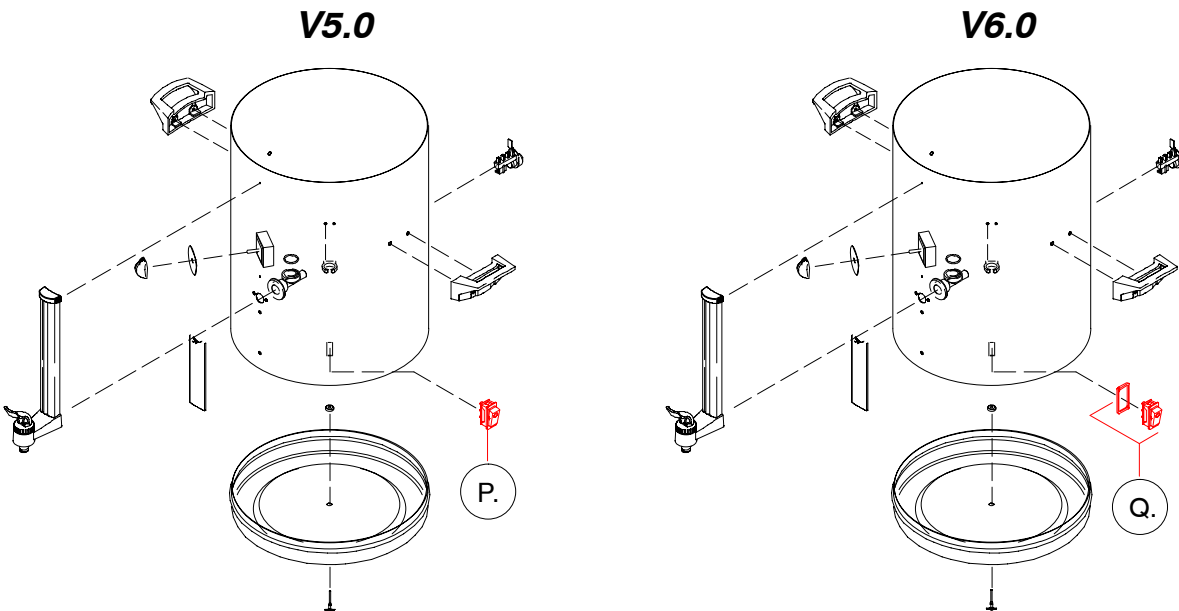
V(H)G (T/D) / NAK (2000 -->)

V5.0



		VHG 5	VHG 10	VHG 20	VHG 40
1.	STD	6.240.120.000	6.242.190.000	6.243.239.000	6.248.130.000
2.	STD	6.240.147.000	6.242.206.000	6.243.243.000	6.248.139.000
3.	STD		6.242.198.001	6.243.233.001	6.248.133.001

		VHG 5 T	VHG 10 T	VHG 20 T	VHG 40 T
4.	STD	6.004.005.003	6.004.005.003	6.004.005.003	6.004.005.003
	MEX / TWN / USA	6.004.005.005	6.004.005.005	6.004.005.005	6.004.005.005
5.	STD	6.295.010.000	6.242.043.000	6.243.042.000	6.243.042.000
	TWN / USA	6.240.057.000	6.242.052.000	6.243.048.000	6.243.048.000



		VHG 5	VHG 10	VHG 20	VHG 40
P.	220V-250V	6.004.001.080	6.004.001.080	6.004.001.080	6.004.001.080
	115V-127V	6.004.001.083	6.004.001.083	6.004.001.083	6.004.001.083
Q.	220V-250V	6.004.001.081	6.004.001.081	6.004.001.081	6.004.001.081
	115V-127V	6.004.001.082	6.004.001.082	6.004.001.082	6.004.001.082